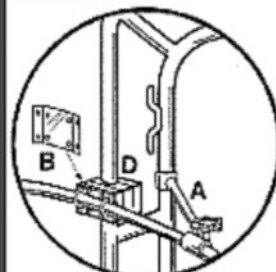
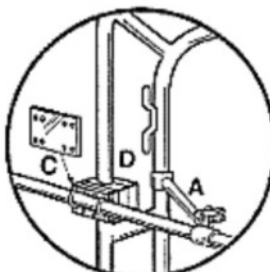


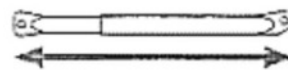
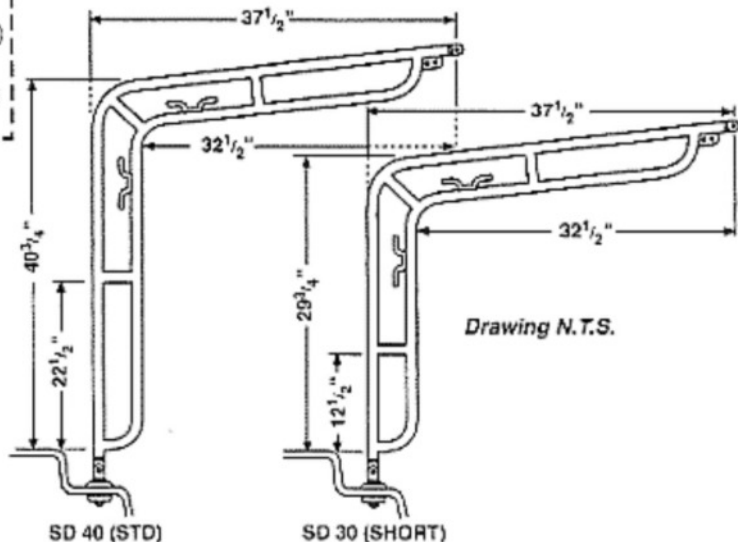
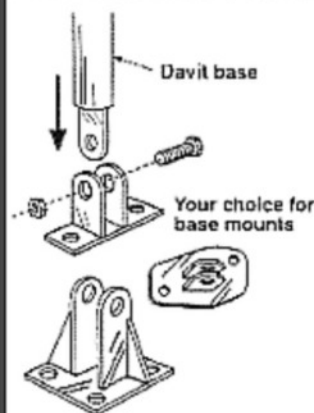
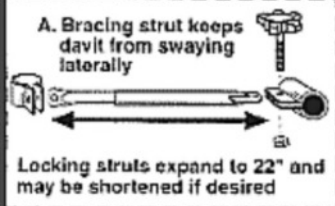
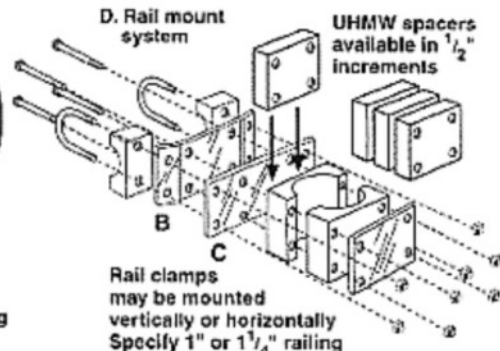
The SD-30 / SD-40 davit system for sail boats



B. Bent flange for curved transom rail specify 1" or 1 1/4" railing



C. Standard flange for straight transom rail specify 1" or 1 1/4" railing



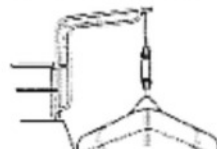
Adjustable length connector struts



Rope (your choice of colour)



Pulleys (choice of ratio)



Dinghy slings (your choice)